

IMPERLED 10Y 138

NOODVERLICHTING

ImperLED 10Y 138 10 jaar garantie op armatuur en accu, met keuze van autonomieduur voor 1,3 of 8 uur.

De **ImperLED 10Y 138** is een veelzijdige noodverlichtingsarmatuur, instelbaar voor nood/continu bedrijf, voor binnen installaties.

De **ImperLED 10Y 138** is ontworpen voor zowel nieuwbouw als voor renovatie van bestaande voorzieningen, voor vluchtroutes en antipaniekgebieden. Perfect geschikt voor projecten zoals parkeergarages, magazijnen, industriële omgevingen, sporthallen, enz.

De **ImperLED 10Y 138** wordt geleverd met 4 stuks pictogrammen rechts/links/onder/boven, en een muurbeugel. Een hangend pictogram dat ook als accessoire verkrijgbaar is moet apart worden besteld.

De **ImperLED 10Y 138** is voorzien van interfaces voor:

- Potentiaalvrij
- DALI
- Draadloos

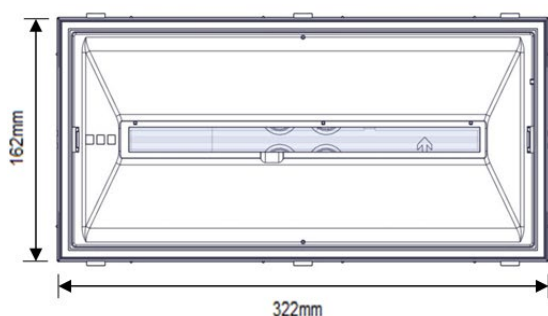


FUNCTIES EN VOORDELEN

- LED-noodverlichting voor nood/continubedrijf met 10 jaar garantie op armatuur en accu
- Geleverd als zelfstandige en automatische testarmatuur
- Keuze uit 1, 3 of 8 uur autonomie via DIP-switch
- Vereenvoudigde selectie van modus voor nood/continubedrijf d.m.v. DIP switch
- Adresseerbare opties* – module voor, DALI, potentiaalvrij of draadloos
- Geleverd met 4 pictogrammen, rechts/links/onder/boven
- Kit* met dubbelzijdig hangend pictogram beschikbaar als accessoire
- Hoge lumenoutput – 1 u = 350 lm / 3 u = 210 lm / 8 u = 190 lm**
- Technische levensduur van led > 100 000 uur
- Simpele en snelle installatie en onderhoud
- IP65 – stofdichte en waterbestendig armatuur

*Apart te bestellen

**Extra batterij voor 8 uur moet apart worden besteld



TECHNISCHE GEGEVENS

Leesafstand, uitgangsbord	30 m	
Spanning	220-240 VAC / 50-60 Hz	
Stroomverbruik	5.3W / 5.6VA	5.3W / 5.6VA
Batterij (LiFePO ₄)	1 u en 3 u: 3,6 V / 2 Ah	8 u: 2 x 3,6 V / 2 Ah
Batterijbeveiliging	Beveiliging tegen overbelasting / diepe ontlading	
Oplaadduur	1h & 3h: 12h	3h & 8h: 24h (2 batterijen)
Backup-tijd batterij	1 uur / 3 uur / 8 uur (via DIP-switch)	
Lichtbron	28 witte leds	
Technische levensduur (lichtbron)	>100 000 uur	
Lumenoutput, hoofdspanning	270 lm	
Lumenoutput, noodgevallen (1 u / 3 u / 8 u)	350 / 210 / 190 lm	
Goedkeuringen	EN 60598-1, EN 60598-2-22, EN 55015, EN 61547, EN 61000-3-2, EN 61000-3-3	
Omgevingstemperatuur	5 tot 40 °C	
Luchtvochtigheid	Tot 95 %	
IK-klasse	IK09	
IP-klasse	IP65	
Afmetingen	322 x 162 x 58 mm	
Gewicht (netto/bruto)	904/1145 g	
Kleur	Wit, RAL 9010	
Materialen	ABS/PC, PC	
Bevestigingsmethode	Plafond / muur / vlag / pendel	

ARTIKELNR.	BESCHRIJVING
138002.10	ImperLED Combi ST LED 230 V m /pict. 10Y 138h
290416	Uni-/Pro-/ImperLED plafond/vlag montagebeugel
290420	Uni-/Pro-/ImperLED pendel 1,75m
299012	Uni-/Pro-/ImperLED beschermrooster
290405.11	ImperLED tweezijdige hangende pictogramkit
290405.12	ImperLED inbouwset
290470	Magnetische testkaart voor ImperLED
290471	UniLED/ImperLED muurbeugel
290097	Insteekmodule eIBus
290099	Insteekmodule potentiaalvrij
290091.3	Insteekmodule DALI
290091.2	Insteekmodule draadloos
138091.2	Insteekmodule draadloos T2
290BAT.1	LiFePO ₄ battery 3.2V/2Ah
290BAT.13	3.2V 2.0Ah LifePO4 battery + adaptor for 8h for UniLED/ImperLED 10Y

RUIMTETABELLEN IMPERLED 10Y 138

138002 1h (350lm)

Escape Route ER (1lux)						
Spacing table is based on following parameters:	Mounting height (m)					
		Maintenance factor: 1,0	2.00	5.23	12.11	9.74
Emergency light factor: 1,00	2.50	5.84	13.82	10.94	7.97	3.13
Minimum illuminance on center line: 1,00 lx	3.00	6.36	15.30	11.90	8.47	3.21
Minimum illuminance the half-width escape route: 0,50 lx	3.50	6.72	16.46	12.64	8.83	3.23
Maximum evenness on center line 40 : 1	4.00	6.60	17.48	13.26	9.05	3.16
Width of the escape route: 2,00 m	5.00	6.28	18.89	13.61	9.13	2.85
	6.00	5.78	18.47	13.29	8.81	2.10
	7.00	x				x

Escape Route ER (2lux)						
Spacing table is based on following parameters:	Mounting height (m)					
		Maintenance factor: 1,00	2.00	4.37	10.47	8.19
Emergency light factor: 1,00	2.50	4.76	11.69	8.97	6.26	2.28
Minimum illuminance on center line: 2,00 lx	3.00	4.61	12.72	9.58	6.43	2.20
Minimum illuminance the half-width escape route: 0,50 lx	3.50	4.45	13.32	9.63	6.46	2.03
Maximum evenness on center line 40 : 1	4.00	4.26	13.21	9.50	6.33	1.71
Width of the escape route: 2,00 m	4.50	3.76	12.88	9.30	6.08	1.16
	5.00	x				x

First aid post, fire fighting equipment and call point (5 lux)			
Avstandstabel, 5 lux	Mounting height (m)		
		According to EN 1838 First aid post, fire fighting equipment and call point shall be provided by 5 lux illuminance. For the purpose of this clause "near" is normally considered to be within 2 m measured horizontally	2.00
	2.50	2.90	1.40
	3.00	2.80	1.30
	3.50	2.70	1.10
	4.00	0.70	0.40
	4.50	x	x

Anti-panic area (0,5 lux)						
Spacing table is based on following parameters:	Mounting height (m)					m ²
		Maintenance factor: 1,00	2.00	6.00	14.00	8.80
Emergency light factor: 1,00	2.50	6.80	15.90	9.70	3.90	154
Minimum illuminance in anti-panic area 0,50 lx	3.00	7.60	17.50	10.50	4.20	184
E _{max} / E _{min} 40:1	3.50	8.20	19.30	11.20	4.40	216
Distance from the wall: 0,50m	4.00	8.70	20.80	11.70	4.50	243
	5.00	9.50	23.20	12.50	4.50	290
	6.00	9.20	25.40	12.80	4.40	325
	7.00	8.90	26.50	12.90	4.00	342
	8.00	8.50	26.40	12.60	3.40	333
	9.00	x			x	0

Anti-panic area (1 lux)						
Spacing table is based on following parameters:	Mounting height (m)					m ²
		Maintenance factor: 1,00	2.00	5.20	12.00	7.20
Emergency light factor: 1,00	2.50	5.80	13.70	7.90	3.10	108
Minimum illuminance in anti-panic area 1 lx	3.00	6.30	15.20	8.40	3.20	128
E _{max} / E _{min} 40:1	3.50	6.70	16.40	8.80	3.20	144
Distance from the wall: 0,50m	4.00	6.60	17.40	9.00	3.10	157
	5.00	6.20	18.80	9.10	2.80	171
	6.00	5.80	18.40	8.80	2.10	162
	7.00	x			x	0

138002 3h (210lm)

Escape Route ER (1lux)						
Spacing table is based on following parameters:	Mounting height (m)					
		Maintenance factor: 1,0	2.00	4.58	10.90	8.61
Emergency light factor: 1,00	2.50	5.10	12.32	9.50	6.70	2.50
Minimum illuminance on center line: 1,00 lx	3.00	5.14	13.32	10.14	6.97	2.47
Minimum illuminance the half-width escape route: 0,50 lx	3.50	4.98	14.35	10.62	7.07	2.35
Maximum evenness on center line 40 : 1	4.00	4.84	14.69	10.51	7.05	2.14
Width of the escape route: 2,00 m	4.50	4.60	14.39	10.35	6.89	1.77
	5.00	3.91	14.05	10.16	6.62	1.16
	6.00	x				x

Escape Route ER (2lux)						
Spacing table is based on following parameters:	Mounting height (m)					
		Maintenance factor: 1,00	2.00	1.76	4.88	7.02
Emergency light factor: 1,00	2.50	1.65	5.00	7.50	10.16	3.51
Minimum illuminance on center line: 2,00 lx	3.00	1.39	4.94	7.39	10.29	3.35
Minimum illuminance the half-width escape route: 0,50 lx	3.50	0.87	4.70	7.20	9.96	2.87
Maximum evenness on center line 40 : 1	4.00	x				x
Width of the escape route: 2,00 m						

First aid post, fire fighting equipment and call point (5 lux)			
Avstandstabel, 5 lux	Mounting height (m)		
		According to EN 1838 First aid post, fire fighting equipment and call point shall be provided by 5 lux illuminance, For the purpose of this clause "near" is normally considered to be within 2 m measured horizontally	2.00
	2.50	2.20	1.00
	3.00	2.00	0.80
	3.50	x	x

Anti-panic area (0,5 lux)						
Spacing table is based on following parameters:	Mounting height (m)					m ²
		Maintenance factor: 1,00	2.00	5.40	12.50	7.60
Emergency light factor: 1,00	2.50	6.10	14.20	8.40	3.30	119
Minimum illuminance in anti-panic area 0,50 lx	3.00	6.60	15.80	8.90	3.40	141
Emax / Emin 40:1	3.50	7.10	17.20	9.40	3.50	162
Distance from the wall: 0,50m	4.00	7.40	18.20	9.70	3.50	177
	5.00	7.00	20.30	10.00	3.30	203
	6.00	6.70	20.60	9.90	2.80	204
	7.00	5.80	19.90	9.40	1.70	187
	8.00	x			x	

Anti-panic area (1 lux)						
Spacing table is based on following parameters:	Mounting height (m)					m ²
		Maintenance factor: 1,00	2.00	4.50	10.80	6.20
Emergency light factor: 1,00	2.50	5.00	12.20	6.60	2.40	81
Minimum illuminance in anti-panic area 1 lx	3.00	5.10	13.20	6.90	2.40	91
Emax / Emin 40:1	3.50	4.90	14.30	7.00	2.30	100
Distance from the wall: 0,50m	4.00	4.80	14.70	7.00	2.10	103
	5.00	3.90	14.00	6.60	1.20	92
	6.00	x			x	

Voor gebruik als 8 u autonome verlichting is een extra batterij vereist.

138002 8h (190lm) with 2 battery sets

Escape Route (ER) 1lux						
Spacing table is based on following parameters:	Mounting height (m)					
		Maintenance factor: 1,0	2.00	4.46	10.67	8.38
Emergency light factor: 1,00	2.50	4.91	11.97	9.22	6.46	2.38
Minimum illuminance on center line: 1,00 lx	3.00	4.85	12.99	9.83	6.68	2.32
Minimum illuminance the half-width escape route: 0,50 lx	3.50	4.68	13.77	10.06	6.75	2.17
Maximum evenness on center line 40 : 1	4.00	4.53	13.87	9.95	6.66	1.90
Width of the escape route: 2,00 m	4.50	4.18	13.55	9.76	6.45	1.45
	5.00	0.90	13.21	9.53	6.12	0.52
	5.50	x				x

Escape Route (ER) 2lux						
Spacing table is based on following parameters:	Mounting height (m)					
		Maintenance factor: 1,00	2.00	3.46	8.92	6.80
Emergency light factor: 1,00	2.50	3.30	9.76	7.11	4.77	1.53
Minimum illuminance on center line: 2,00 lx	3.00	3.11	9.70	6.97	4.64	1.21
Minimum illuminance the half-width escape route: 0,50 lx	3.50	0.77	9.36	6.76	4.35	0.48
Maximum evenness on center line 40 : 1	4.00	x				x
Width of the escape route: 2,00 m						

First aid post, fire fighting equipment and call point (5 lux)			
Avstandstabel, 5 lux	Mounting height (m)		
		According to EN 1838 First aid post, fire fighting equipment and call point shall be provided by 5 lux illuminance. For the purpose of this clause "near" is normally considered to be within 2 m measured horizontally	2.00
	2.50	2.05	0.89
	3.00	1.65	0.62

Anti-panic area (0,5 lux)						
Spacing table is based on following parameters:	Mounting height (m)					m ²
		Maintenance factor: 1,00	2.00	5.20	12.20	7.40
Emergency light factor: 1,00	2.50	5.90	13.90	8.10	3.20	112.59
Minimum illuminance in anti-panic area 0,50 lx	3.00	6.40	15.50	8.60	3.30	133.30
E _{max} / E _{min} 40:1	3.50	6.90	16.80	9.10	3.30	152.88
Distance from the wall: 0,50m	4.00	6.90	17.70	9.30	3.60	164.61
	5.00	6.60	19.40	9.50	3.00	184.30
	6.00	6.20	19.40	9.30	2.40	180.42
	6.50	5.70	19.00	9.00	1.90	171.00
	8.00	x			x	

Anti-panic area (1 lux)						
Spacing table is based on following parameters:	Mounting height (m)					m ²
		Maintenance factor: 1,00	2.00	4.40	10.50	6.00
Emergency light factor: 1,00	2.50	4.90	11.90	6.40	2.30	76.16
Minimum illuminance in anti-panic area 1 lx	3.00	4.80	12.90	6.60	2.30	85.14
E _{max} / E _{min} 40:1	3.50	4.60	13.70	6.70	2.10	91.79
Distance from the wall: 0,50m	4.00	4.50	13.80	6.60	1.90	91.08
	5.00	1.00	13.20	6.10	0.60	80.52
	6.00	x			x	

Voor meer informatie:

www.notifier.nl
 www.morley-ias.nl
 www.esser-systems.com/nl